









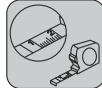
 M4X20MM A(4PCS)	 M6X20MM B(4PCS)	 M8 X25MM C(4PCS)	 M6 D(4PCS)
 M6 E(4PCS)	 M6 F1(8PCS)	 bubble level F2(1PCS)	 G(4PCS)

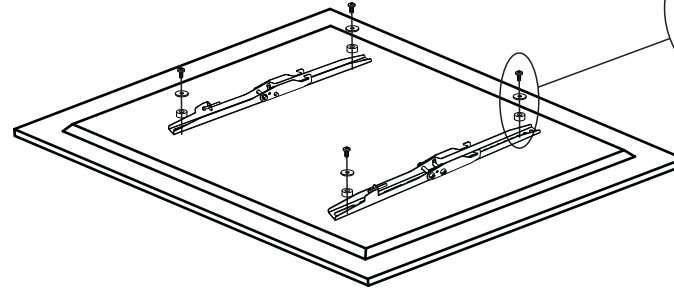





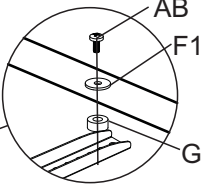
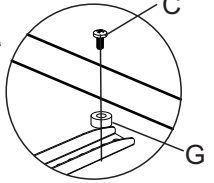

600×400


Max
40kg

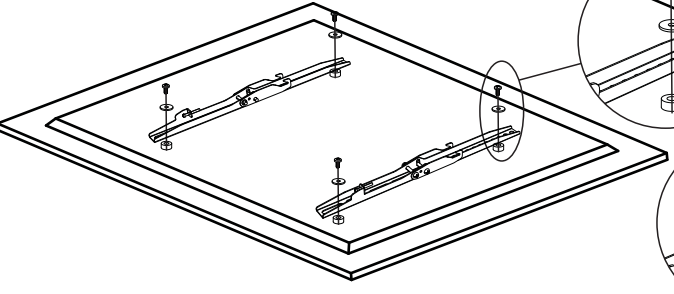

26"-60"

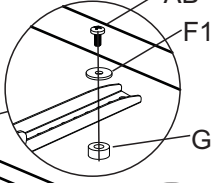
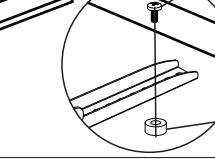
STEP2A Attaching brackets to screen



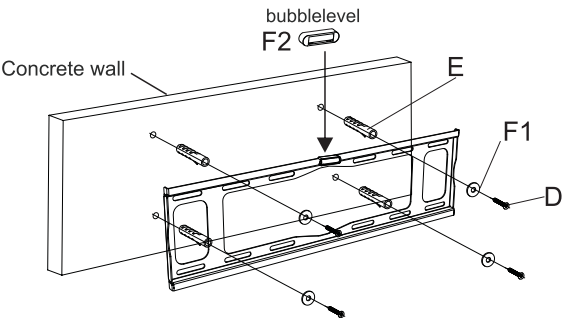



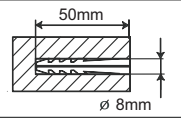
STEP2B For TVs with a curved back or obstruction



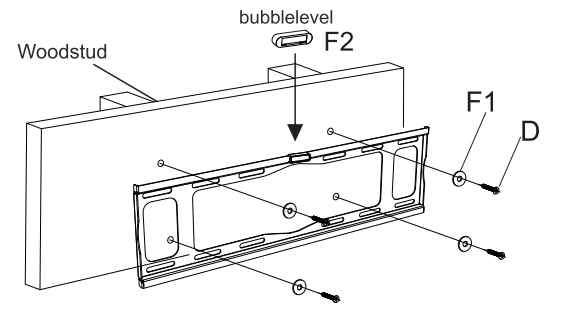



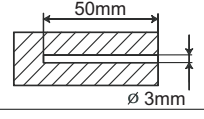
STEP1A Solid concrete mounting



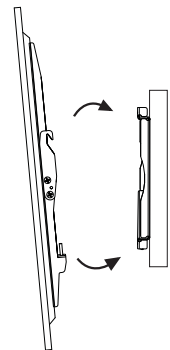

50mm
ø 8mm

STEP1B Woodstud mounting





50mm
ø 3mm

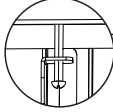
STEP3 Hang the TV onto the wall plate




Tilt adjustment



locking





12°