



4 Port HDMI 2.0 & USB Quad View KVM Switch

User Manual

English



No. 32329

lindy.com

Safety Instructions**! WARNING !**

Please read the following safety information carefully and always keep this document with the product.

Failure to follow these precautions can result in serious injuries or death from electric shock, fire or damage to the product.

Touching the internal components or a damaged cable may cause electric shock, which may result in death.

This device is a switching type IEC power supply and can work with supply voltages in the range 100 - 240 VAC.



To reduce risk of fire, electric shocks or damage:

- Do not open the product nor its power supply. There are no user serviceable parts inside.
- Only qualified servicing personnel may carry out any repairs or maintenance.
- Never use damaged cables.
- Do not expose the product to water or places of moisture.
- Do not use this product outdoors it is intended for indoor use only.
- Do not place the product near direct heat sources. Always place it in a well-ventilated place.
- Do not place heavy items on the product or the cables.
- Please ensure any adapters are firmly secured and locked in place before inserting into a wall socket

Introduction

Thank you for purchasing the 4 Port HDMI 2.0 & USB Quad View KVM Switch. This product has been designed to provide trouble free, reliable operation. It benefits from both a Lindy 2 year warranty and free lifetime technical support. To ensure correct use, please read this manual carefully and retain it for future reference.

This product allows the control of four computers, servers or devices from a single HDMI 2.0 monitor, keyboard and mouse with the option to see 4 Full HD signals simultaneously with the screen split in to 4 quadrants. The user is able to interact with each attached device by simply moving the mouse pointer from one quadrant to another and switch to a full screen view as needed by double clicking the mouse's scroll wheel. Thanks to seamless switching capabilities switching from one source to another is completed instantly without any black screen or screen freezing, making it perfect for mission critical applications such as a control room installation.

Package Contents

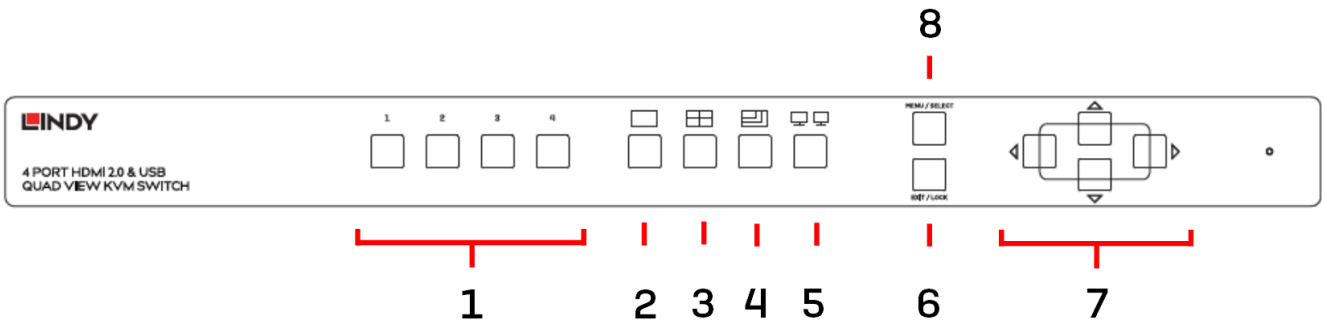
- 4 Port HDMI 2.0 & USB Quad View KVM Switch
- 2 x 19" Rack mount bracket with screws
- 12VDC 5A IEC Power Supply, DC Jack: 5.5/2.1mm
- Country specific IEC mains cable, 1.8m
- RS-232 cable (DB9 female to male), 1.8m
- Lindy Manual

Features

- Supports 4K HDMI 2.0 & HDCP 1.4 output
 - Supports 4 x 1080p video inputs
 - Supports upscaling to 4K@60Hz resolution
 - Supports USB HID (Keyboard & Mouse only)
 - Features seamless switching between the sources
 - Features Quad View Video mode for monitoring and real time control
 - Supports cascading for larger installations
 - Controlled via OSD (On Screen Display), panel buttons, keyboard hot keys and RS232 commands
 - IR Remote control & IR Extension cable available as separate option (not included)
-

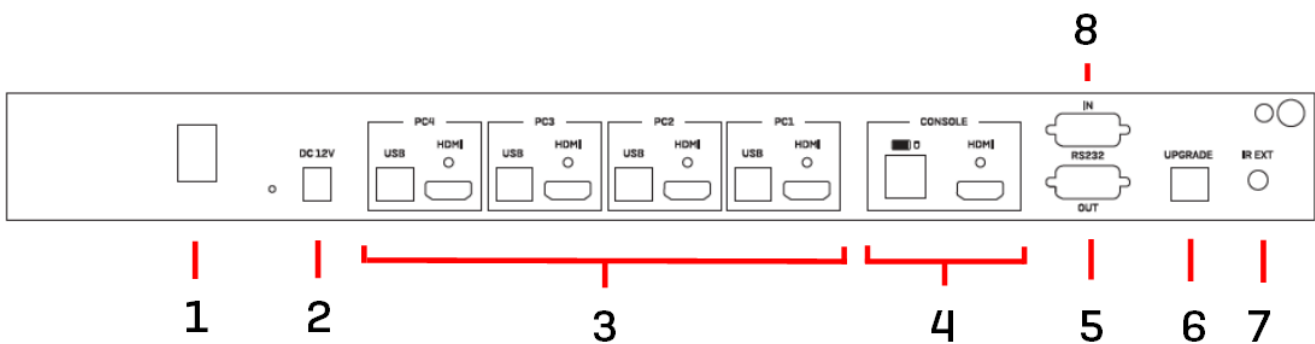
Overview & Installation

Front Panel



1. **Input selection** (1, 2, 3 and 4) – Used for the active source selection.
2. **Full Screen video mode** – Select the single source full screen video mode.
3. **Quad View video mode** – Switch to 4 inputs in a single screen video mode.
4. **Resolution selection** – Used to select the desired output resolution.
Power off and then restart the unit while pressing this button, continue to hold until the LED illuminates. The output can be switched between 4K and 1080p@60Hz resolutions.
5. **Daisy Chain Activity Led** – The LED will illuminate when a daisy chain installation is detected.
6. **Exit / Lock button** – Press this button to exit from the OSD or to lock/unlock all buttons.
7. **Navigation buttons** – Used to navigate the OSD menu.
8. **Menu / select button** – Opens the OSD menu and selects menu items.

Rear Panel



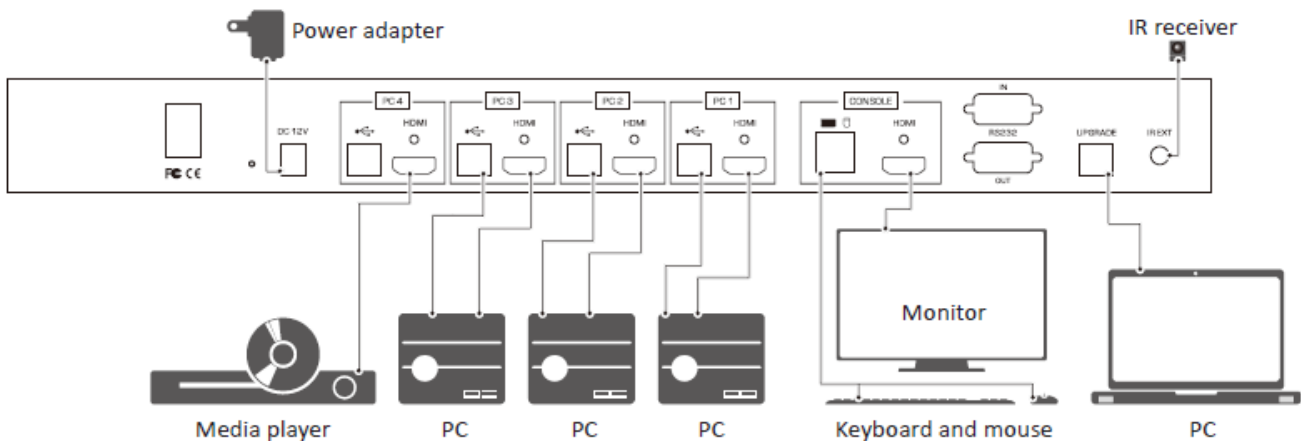
1. **Power Switch** – Switch the device On/Off
2. **DC 12V** – Connect the included power supply.
3. **PC Input Ports (PC1, PC2, PC3 and PC4)** – Connect the USB and HDMI cables (not included) for each input device.
4. **Console** – Connect the HDMI display, USB Keyboard & Mouse.
5. **RS232 Out** – Used for cascade connections only.
6. **Upgrade** – Reserved for updating firmware. Please contact Lindy tech support team for more information.
7. **IR Ext** – Used to connect the optional IR extension cable for use with optional remote control (not included).
8. **RS232 In** – Connect the supplied serial cable to control the device using serial commands. This port is also used when cascading switches.

Please follow the following steps to install this 4K HDMI 2.0 & USB Quad View KVM Switch:

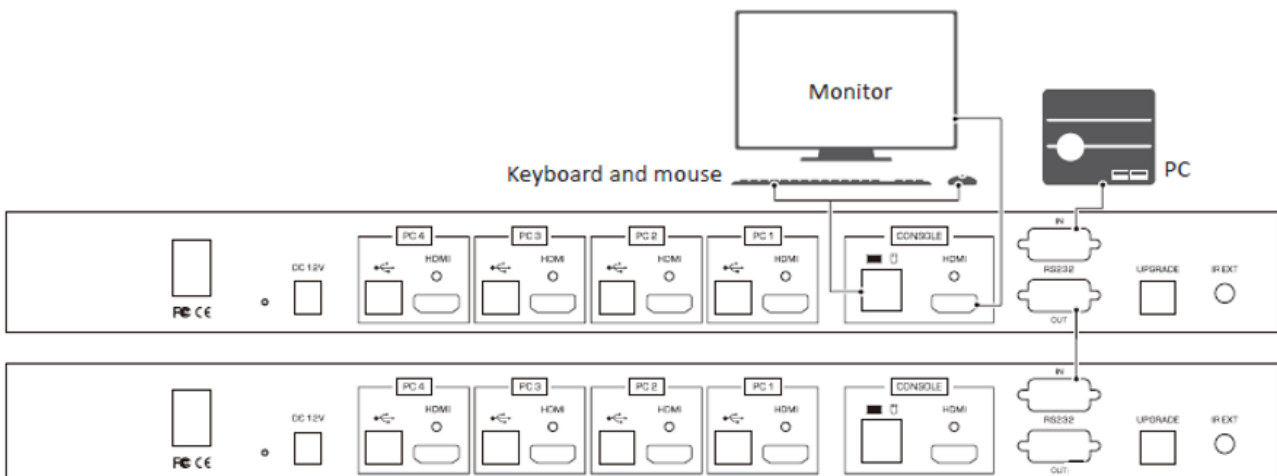
1. Please be sure that all the devices included in the installation are shut down.
2. Connect the PCs, servers or devices to be controlled through this switch to the PC Input ports (from 1 to 4) using High Speed HDMI cables and standard USB A/B cables.
3. Connect your 4K HDMI display to the HDMI console port of the switch.
4. Connect your USB keyboard and mouse to the USB console ports of the switch.
5. Turn on all the device in this order: Screen, Quad View KVM Switch and then PCs / Servers.
6. The switch will now be fully operational and can be used to manage the connected devices.

The following diagrams are only examples. All shown devices such as PCs, accessories and displays are not included in the package. Make sure that all devices and peripherals are connected appropriately before using the unit.

Basis Connection



Daisy-Chain Connection

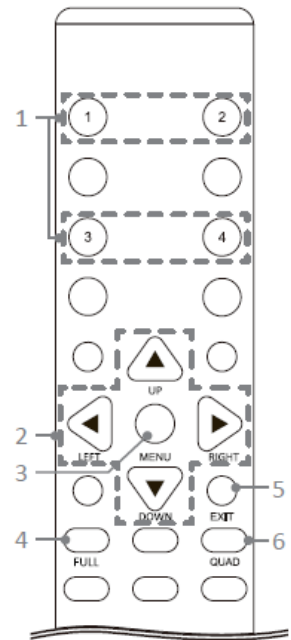


Daisy-chain connection can be created by adding up to 1 additional unit.

Operation

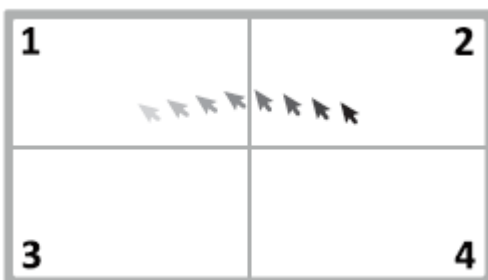
IR Remote Control (not included, available separately)

- 1. **Input** – Press to select the desired source
- 2. **Navigation buttons** – Press to move the cursor up, down, left and right on the menu
- 3. **Menu / select** – Press to bring up the OSD menu / Select a desired option on the menu
- 4. **Full** – Press to display the image by full screen
- 5. **Exit** – Press to exit the OSD menu
- 6. **Quad** – Press to display 4 images on one screen

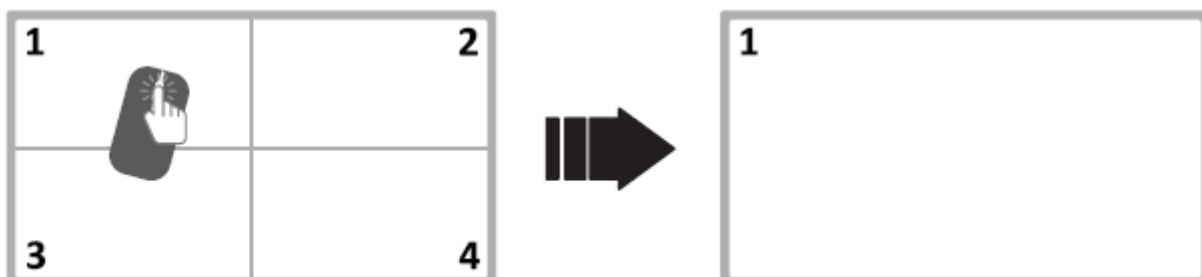


Mouse Control

With the built in KM function, in Quad view mode the user will be able to switch seamlessly between each connected computer by dragging the mouse from one screen to another. This allows control of each computer from the mouse and keyboard connected to the switch.

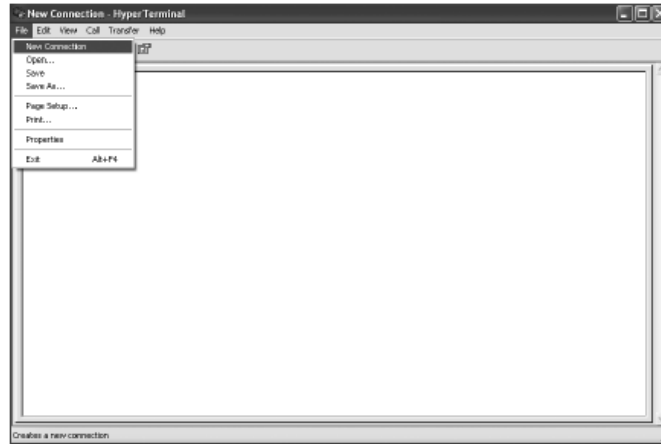


To use the selected computer in full-screen, please double click the scroll wheel of the mouse. To return to quad view mode, double click the scroll wheel again.

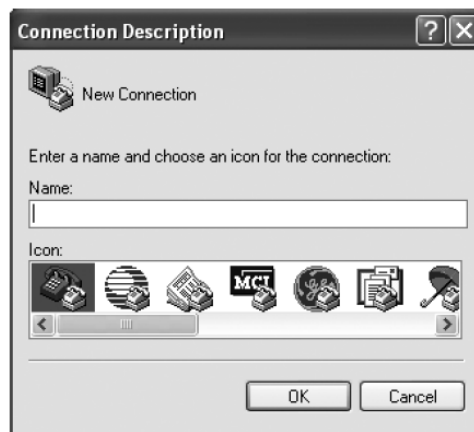


RS232 Control

1. Connect the switch to a PC using the included RS232 serial cable.
2. Open HyperTerminal and create a new connection:
Program -> Accessories -> Communications -> HyperTerminal -> New Connection



3. Enter a preferred name. Then click OK.



4. Select connect using the appropriate COM port on your PC.



5. Enter the following data to each field, then press “Apply”

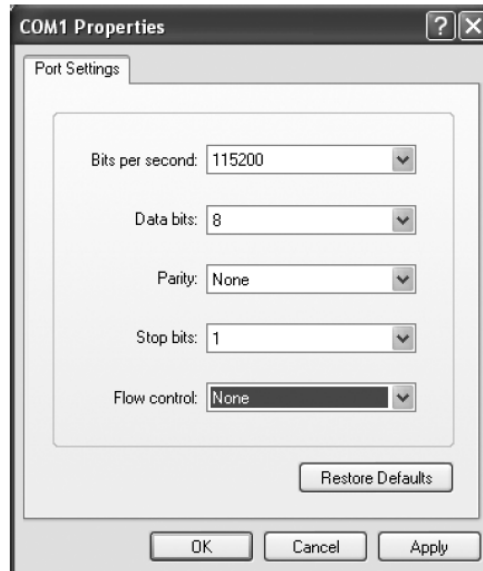
Bits per second: 115200

Data bits: 8

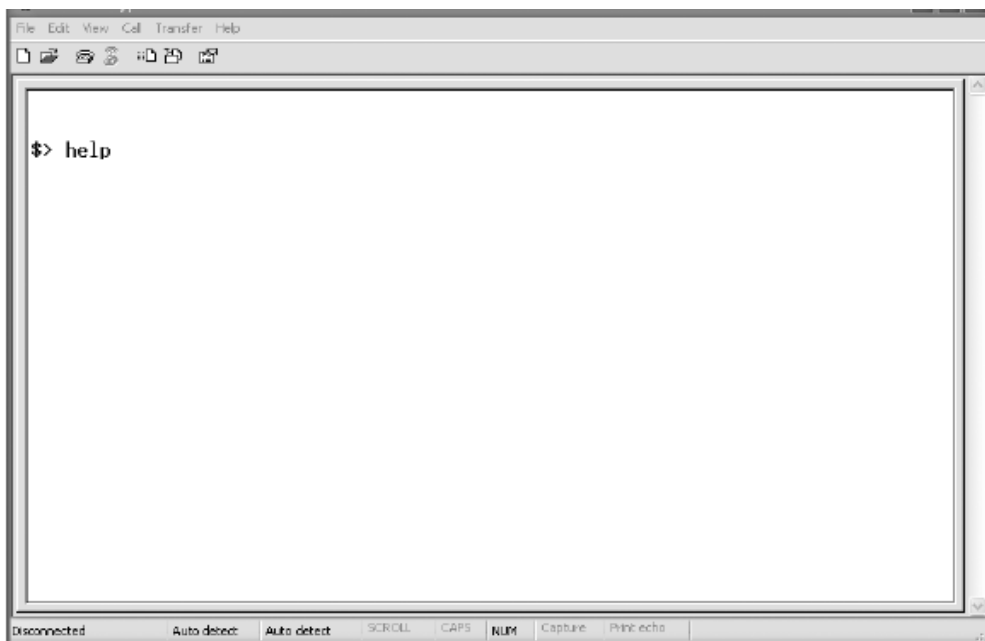
Parity: None

Stop bits: 1

Flow control: None



6. The HyperTerminal window will appear the settings are complete. To enter commands, press enter. For more command details, please refer to HyperTerminal Help.



RS232 Commands

To see all available commands, type “**help**” in the window of HyperTerminal.

- sw** - Set active port
- mode** - Set video display mode
- default** - Reset to factory default
- titletime** - Set title bar timeout
- status** - Show video status
- setname** - Set input channel name

Note that some commands require specific parameters, you may enter the command to find the parameter or refer to the table below.

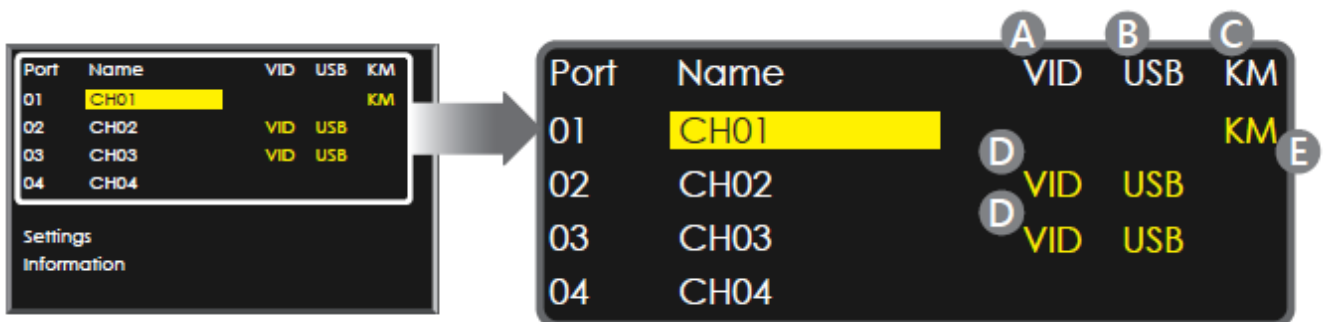
Command	Description	Parameter
sw [n]	Switch the active port	n: 1~4
mode [n]	Switch video display mode	n: (1) Full (2) Quad
default	Return to the factory default	
titletime [n]	Set the title bar timeout	n: (1) 05 (2) 10 (3) 15 (4) 20 (5) 25 (6) 30 (7) off (8) 00
status	Display the current video status	
setname [ch] [name]	Set the input channel name	ch = Channel name = 1~13 (ascii text)
help	List all available commands	

Menu

To bring up the configuration menu, press **Menu / Select** on the front panel.

Port Configuration

- Use ▲/▼ to move the cursor, press ◀/▶ to select the desired option and then press **Menu / Select** to confirm the selection
- To return to the previous menu or exit the configuration menu page, press **Exit / Lock**

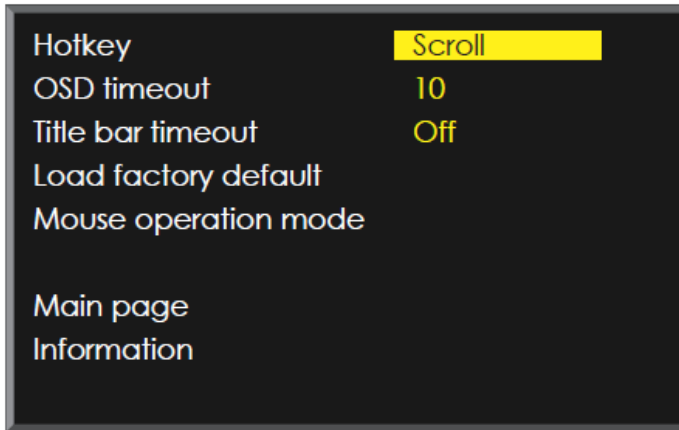


- A. VID:** Indicator of video source.
- B. USB:** Indicator of USB connection
- C. KM:** Indicator of KVM function. To switch between the different computers, press the desired **Input** button on the front panel.
- D.** Shows that video and USB are connected to this port.
- E.** KM indicates the currently selected port which the keyboard and mouse are controlling.

Port Name: Allows user to change the port name. Press ▲/▼ to select the desired port, and then press the **Insert** key on the keyboard. Enter the desired name using the keyboard and press **Menu / Select** to confirm. Note that the system supports only up to 13 characters.

Settings

1. Press ▲ / ▼ to move the cursor, press ◀ / ▶ to select the desired option, and then press **Menu / Select** to confirm the selection.
2. To exit the configuration menu page, press **Exit / Lock**. A pop-up window will appear on the screen, press ◀ / ▶ to select **Yes** to save the changes and to exit the menu.



Hotkey: Select a preferred user-defined hotkey to enable the OSD menu. The hotkey must be with 3 keystrokes, for example Scroll Lock + Scroll Lock + space bar. The lead hotkey can be Scroll Lock, Caps, Num Lock, Left Ctrl or Right Ctrl.

OSD timeout: Setup the timeout of OSD menu.

Title bar timeout: Setup the timeout of title bar.

Load factory default: Restore to the factory default settings.

Mouse operation mode: Select **Auto** or **DVR** mode according to the requirement.

Information: Display the latest firmware update and computer module date.

CE/FCC Statement

CE Certification

LINDY declares that this equipment complies with relevant European CE requirements.

CE Konformitätserklärung

LINDY erklärt, dass dieses Equipment den europäischen CE-Anforderungen entspricht

UKCA Certification

LINDY declares that this equipment complies with relevant UKCA requirements.

FCC Certification

This equipment has been tested and found to comply with the limits for a Class B digital device, pursuant to part 15 of the FCC Rules. These limits are designed to provide reasonable protection against harmful interference in a residential installation.

You are cautioned that changes or modification not expressly approved by the party responsible for compliance could void your authority to operate the equipment.

This device complies with part 15 of the FCC Rules.

Operation is subject to the following two conditions:

1. This device may not cause harmful interference, and
2. This device must accept any interference received, including interference that may cause undesired operation.

The enclosed power supply has passed Safety test requirements, conforming to the US American versions of the international Standard IEC 60950-1 or 60065 or 62368-1.

LINDY Herstellergarantie – Hinweis für Kunden in Deutschland

LINDY gewährt für dieses Produkt über die gesetzliche Regelung in Deutschland hinaus eine zweijährige Herstellergarantie ab Kaufdatum. Die detaillierten Bedingungen dieser Garantie finden Sie auf der LINDY Website aufgelistet bei den AGBs.

Hersteller / Manufacturer (EU):

LINDY-Elektronik GmbH
Markircher Str. 20
68229 Mannheim
Germany
Email: info@lindy.com , T: +49 (0)621 470050

Manufacturer (UK):

LINDY Electronics Ltd
Sadler Forster Way
Stockton-on-Tees, TS17 9JY
England
sales@lindy.co.uk, T: +44 (0)1642 754000

Recycling Information



WEEE (Waste of Electrical and Electronic Equipment), Recycling of Electronic Products

Europe, United Kingdom

In 2006 the European Union introduced regulations (WEEE) for the collection and recycling of all waste electrical and electronic equipment. It is no longer allowable to simply throw away electrical and electronic equipment. Instead, these products must enter the recycling process.

Each individual EU member state has implemented the WEEE regulations into national law in slightly different ways. Please follow your national law when you want to dispose of any electrical or electronic products. More details can be obtained from your national WEEE recycling agency.

Germany / Deutschland

Rücknahme Elektroschrott und Batterie-Entsorgung

Die Europäische Union hat mit der WEEE Direktive Regelungen für die Verschrottung und das Recycling von Elektro- und Elektronikprodukten geschaffen. Diese wurden im Elektro- und Elektronikgerätegesetz – ElektroG in deutsches Recht umgesetzt. Das Entsorgen von Elektro- und Elektronikgeräten über die Hausmülltonne ist verboten! Diese Geräte müssen den Sammel- und Rückgabesystemen zugeführt werden! Dort werden sie kostenlos entgegen genommen. Die Kosten für den weiteren Recyclingprozess übernehmen die Gerätehersteller.

LINDY bietet deutschen Endverbrauchern ein kostenloses Rücknahmesystem an, beachten Sie bitte, dass Batterien und Akkus den Produkten vor der Rückgabe an das Rücknahmesystem entnommen werden müssen und über die Sammel- und Rückgabesysteme für Batterien separat entsorgt werden müssen. Ausführliche Informationen zu diesen Themen finden Sie stets aktuell auf der LINDY Webseite im Fußbereich.

France

En 2006, l'union Européenne a introduit la nouvelle réglementation (DEEE) pour le recyclage de tout équipement électrique et électronique.

Chaque Etat membre de l' Union Européenne a mis en application la nouvelle réglementation DEEE de manières légèrement différentes. Veuillez suivre le décret d'application correspondant à l'élimination des déchets électriques ou électroniques de votre pays.

Italy

Nel 2006 l'unione europea ha introdotto regolamentazioni (WEEE) per la raccolta e il riciclo di apparecchi elettrici ed elettronici. Non è più consentito semplicemente gettare queste apparecchiature, devono essere riciclate. Ogni stato membro dell'EU ha tramutato le direttive WEEE in leggi statali in varie misure. Fare riferimento alle leggi del proprio Stato quando si dispone di un apparecchio elettrico o elettronico.

Per ulteriori dettagli fare riferimento alla direttiva WEEE sul riciclaggio del proprio Stato.



UK
CA



Tested to comply with
FCC Standards
For Home and Office Use!

No. 32329

2nd Edition, August 2021

lindy.com